



# SaniServ®

An AFFINIS GROUP Company

Item No. \_\_\_\_\_  
Quantity \_\_\_\_\_  
Job Name \_\_\_\_\_

*Designed For Medium Volume Applications*  
10 Gallons per Hour – 20 Quart Capacity  
**High capacity with 110 volt convenience!**

**Model 708**  
Countertop  
**Frozen Beverage Machine**  
with **AccuFreeze** Control

The **SaniServ** Model 708 Frozen Beverage Machine is an industry workhorse!! The 708 provides a great way to offer many types of slush beverage! Choose from frozen margaritas and daiquiri's to frozen fruit flavor drinks, frozen lemonade and smoothies. The 708 also provides a way to serve a greater volume of all of your favorite frozen drinks without the need for an additional costly power supply!

## Space Saving

**Small Footprint Design** - Save valuable floor space and turn the bar or countertop into a real profit center. By offering the finest quality of frozen drinks each time, every frozen beverage is consistent from the first to the last!

## Easy Cleaning and Operation

**Fewer Parts = Simplified Cleaning** – **SaniServ** equipment is designed and built with the fewer parts to be disassembled, cleaned and sanitized than any other machine in the industry. The state of the art solid-state **AccuFreeze** control insures product consistency, worry-free operation and customer satisfaction.

## High Return on Investment

**Increased Profits** – **SaniServ** machines combine affordable efficiency with consistent product quality and fast quiet operation to insure customer satisfaction with high profit frozen beverages.

## Quality Design

**Durability** – **SaniServ** machines are built to achieve long and dependable life through simplicity of design. Every machine is shipped standard with a stainless steel exterior, durable steel interior frame construction, heavy-duty components and consistency systems.

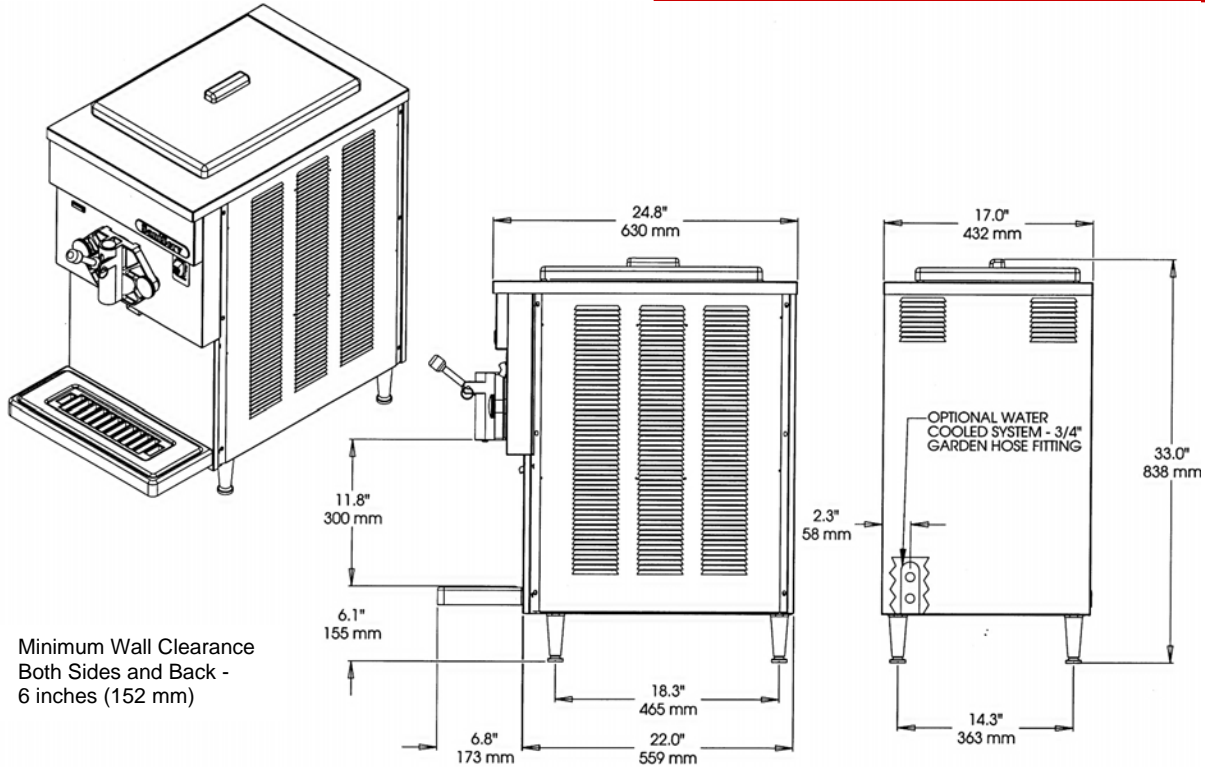


Made in the USA

# SaniServ Model 708

## Counter Model Frozen Beverage/Cocktail Freezer

For sales information contact:



Minimum Wall Clearance  
Both Sides and Back -  
6 inches (152 mm)

ELECTRICAL				WIDTH	HEIGHT	DEPTH	WEIGHT	VOLUME
VOLTS	Hz	Ph.	Amps	INCHES (mm)	INCHES (mm)	INCHES (mm)	LBS. (Kg)	CU FT. (cu. m.)
115	60	1	11	17 (432)	33 (838)	24.8 (630)	200 (72)	
Shipping Specifications				22.5 (572)	36 (914)	34.5 (876)	230 (86)	14.8 (.42)

### Specifications:

**Cooling System:** Air or Water

**Dasher and Compressor Motors:**  
1/4 HP Dasher    3/4 HP Compressor

**Refrigerant Type:** R404A

**Listings:** UL, NSF

### Features:

**Evaporator and Mix Reservoir Capacity:** 20 Quarts (18.9 liters)

**Dasher:** Heavy-Duty Stainless Steel with low friction scraper blades.

**Controls:** *AccuFreeze* solid-state control for accurate product consistency.

**Solid-state Automatic Audio and Visual Mix Out Alert System**

### Warranty:

Parts	1 year
Compressor	5 years
Evaporator	5 years

### Options:

- Tune Up Kit
- Parts Tray
- Drink Spinner
- Syrup Rail
- Counter Top Mounting Pad
- Machine Stand
- Wash Out Kit – 3/8" Flare Fitting
- Water Cooled – 3/4" Garden Hose Fitting
- Export Voltage

We reserve the right to change specifications and product design without notice. Such revisions do not entitle the buyer to corresponding changes, improvements, additions or replacements for previously purchased equipment.

# ZAMA

WWW.ZAMA-ENETRPRISE.COM  
1-866-425-5669 Fax: 1-305-670-0044  
Miami, FL 33156



Made in the USA

Rev. 2/06