



SaniServ®

An AFFINIS GROUP Company

Item No. _____
Quantity _____
Job Name _____

Designed For Medium Volume Applications
8 Gallons per Hour – 20 Quart Capacity
High capacity with 110 volt convenience!

Model 707

Countertop
Frozen Beverage Machine
with **AccuFreeze** Control

The **SaniServ** Model 707 Frozen Beverage Machine is a customer favorite! Its sleek single barrel profile has the ability to offer many types of slush beverages! Choose from frozen margaritas and daiquiris to frozen fruit flavor drinks such as frozen lemonade and fruit smoothies. The 707 is a must have for the customer looking for an affordable way to offer all of their favorite beverages frozen!

Space Saving

Small Footprint Design - Save valuable floor space and turn the bar or countertop into a real profit center. By offering the finest quality of frozen drinks each time, every frozen beverage is consistent from the first to the last!

Easy Cleaning and Operation

Fewer Parts = Simplified Cleaning – **SaniServ** equipment is designed and built with the fewer parts to be disassembled, cleaned and sanitized than any other machine in the industry. The state of the art solid-state **AccuFreeze** control insures product consistency, worry-free operation and customer satisfaction.

High Return on Investment

Increased Profits – **SaniServ** machines combine affordable efficiency with consistent product quality and fast quiet operation to insure customer satisfaction with high profit frozen beverages.

Quality Design

Durability – **SaniServ** machines are built to achieve long and dependable life through simplicity of design. Every machine is shipped standard with a stainless steel exterior, durable steel interior frame construction, heavy-duty components and consistency systems.

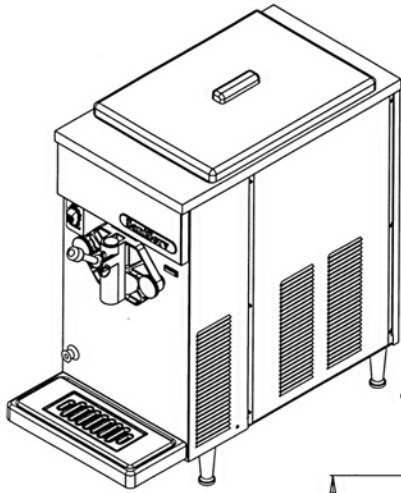


Made in the USA

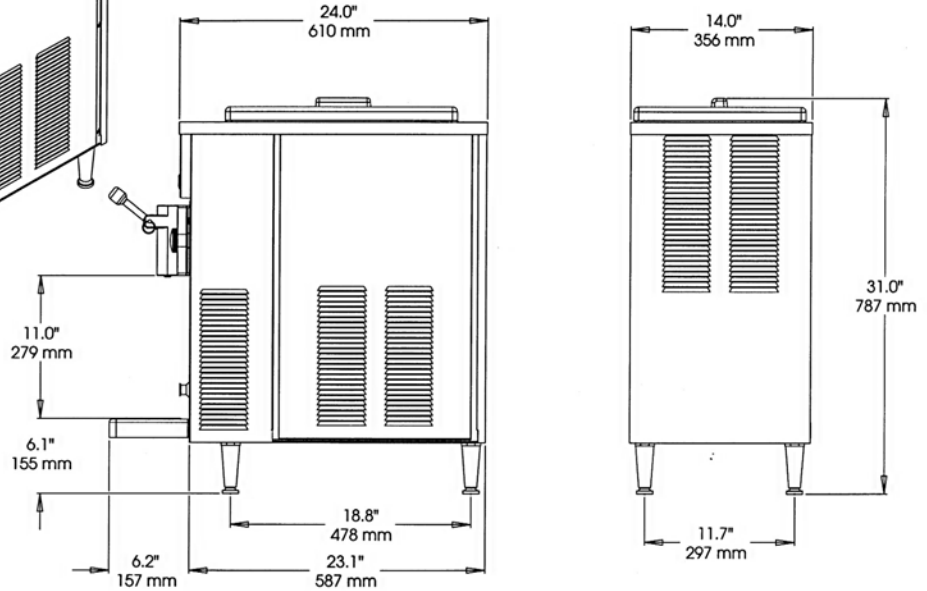
SaniServ Model 707

Counter Model Frozen Beverage/Cocktail Freezer

For sales information contact:



Minimum Wall Clearance
Both Sides and Back -
6 inches (152 mm)



ELECTRICAL				WIDTH	HEIGHT	DEPTH	WEIGHT	VOLUME
VOLTS	Hz	Ph.	Amps	INCHES (mm)	INCHES (mm)	INCHES (mm)	LBS. (Kg)	CU FT. (cu. m.)
115	60	1	11.5	14 (356)	31 (787)	24 (610)	159 (72)	
Shipping Specifications				22.5 (572)	33.5 (851)	34.5 (876)	176 (80)	18.1 (.51)

Specifications:

Cooling System: Air Only

Dasher and Compressor Motors:
1/4 HP Dasher 1/2 HP Compressor

Refrigerant Type: R404A

Listings: UL, NSF

Features:

Evaporator and Mix Reservoir Capacity: 20 Quarts (18.9 liters)

Dasher: Heavy-Duty Stainless Steel with low friction scraper blades.

Controls: *AccuFreeze* solid-state control for accurate product consistency.

Solid-state Automatic Audio and Visual Mix Out Alert System

Warranty:

Parts 1 year
Compressor 5 years
Evaporator 5 years

Options:

Tune Up Kit
Parts Tray
Drink Spinner
Syrup Rail
Counter Top Mounting Pad
Machine Stand
Wash Out Kit – 3/8" Flare Fitting
Export Voltage

We reserve the right to change specifications and product design without notice. Such revisions do not entitle the buyer to corresponding changes, improvements, additions or replacements for previously purchased equipment.

ZAMA

WWW.ZAMA-ENETRPRISE.COM
1-866-425-5669 Fax: 1-305-670-0044
Miami, FL 33156



Made in the USA

Rev. 2/06