



**SaniServ**<sup>®</sup>  
An AFFINIS GROUP Company

Item No. \_\_\_\_\_  
Quantity \_\_\_\_\_  
Job Name \_\_\_\_\_

*Designed For Medium Volume Applications*  
Four – 4 oz. Servings per Minute per side  
and 11 Quart Capacity per side  
*Ideal for Self-Service Operations, Schools & Restaurants*

**Model 527**  
Floor Model  
**Twist Soft Serve Ice Cream /  
Yogurt Machine**

The **SaniServ** Model 527 Soft Serve and Frozen Yogurt Machine is a favorite in providing versatility to serve two individual flavors as well as a flavor twist. The 527 offers high profit, consistent quality soft serve and yogurt products in a popular countertop design. Two independent flavor hoppers and barrels guarantee separation of product and flavors. Ease of operation insures the 527 as a favorite among owners and operators while providing customers the popular flavor twist they enjoy!

### Heavy Duty

**Traditional Floor Model Design** - **SaniServ** model 527 turns valuable floor space into a real profit center by serving two high profit ice cream and yogurt product flavors along with the ability to twist the flavors into a frozen favorite.

### Easy Cleaning and Operation

**Fewer Parts = Simplified Cleaning** – **SaniServ** equipment is designed and built with the fewer parts to be disassembled, cleaned and sanitized than any other machine in the industry.

### High Return on Investment

**Increased Profits** – **SaniServ** machines combine efficiency with consistent product quality and fast quiet operation while insuring customer satisfaction with high profit ice cream or yogurt products.

### Quality Design

**Durability** – **SaniServ** machines are built to achieve long and dependable life through simplicity of design. Every machine is shipped standard with a stainless steel exterior, durable steel interior frame construction, heavy-duty components and consistency systems.

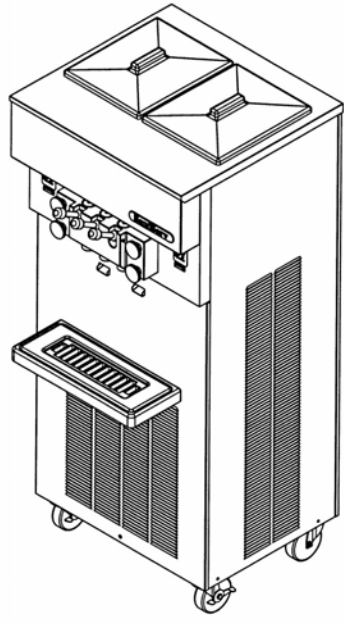


Made in the USA

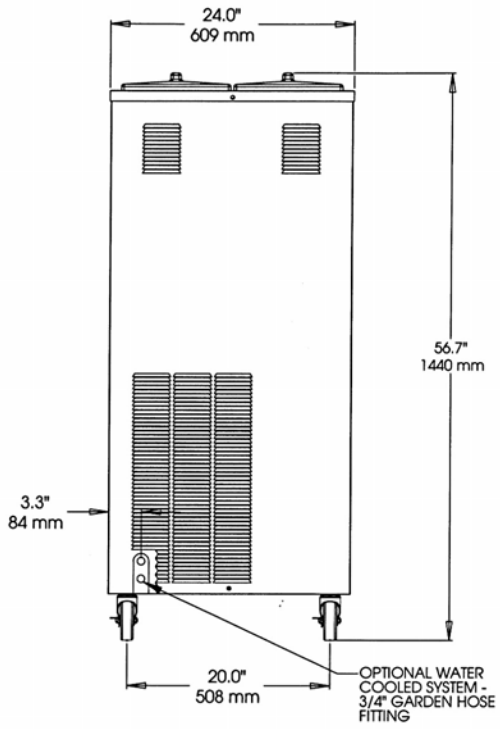
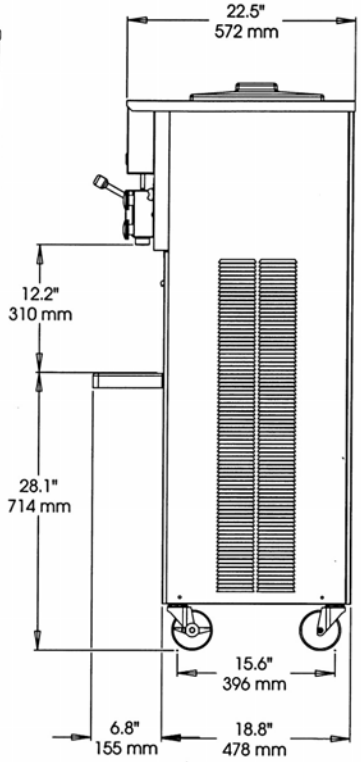
# SaniServ Model 527

## Floor Model Twist Softserv / Yogurt Freezer

For sales information contact:



Minimum Wall Clearance  
Both Sides and Back -  
6 inches (152 mm)



ELECTRICAL				WIDTH INCHES (mm)	HEIGHT INCHES (mm)	DEPTH INCHES (mm)	WEIGHT LBS. (Kg)	VOLUME CU FT. (cu. m.)
VOLTS	Hz	Ph.	Amps					
208-230	60	1	30	24 (609)	56.7 (1440)	22.5 (572)	448 (204)	
208-230	60	3	25					
Shipping Specifications				37.3 (946)	62 (1575)	41 (1041)	513 (233)	54.8 (1.53)

**Specifications:**

- Cooling System:** Air or Water
- Dasher and Compressor Motors:**
  - (2) 1 HP Dashers
  - (1) 2 HP Compressor
- Refrigerant Type:** R404A
- Listings:** UL, cUL, NSF

**Features:**

- Evaporator and Mix Reservoir Capacity:** 11Quarts (10.4 liters) **per side**
- Dasher:** Heavy-Duty Stainless Steel with low friction scraper blades.
- Controls:** Automatic consistency controls for improved consistency.
- Solid State Automatic Audio and Visual Mix Out System**

**Warranty:**

- Parts 1 year
- Compressor 5 years
- Evaporator 5 years

**Options:**

- Tune Up Kit
- Parts Tray
- Syrup Rail
- Water Cooled - 3/4" Garden Hose Fitting
- Wash Out Kit - 3/8" Flare Fitting
- Export Voltage

We reserve the right to change specifications and product design without notice. Such revisions do not entitle the buyer to corresponding changes, improvements, additions or replacements for previously purchased equipment.