



SaniServ®

An AFFINIS GROUP Company

Item No. _____
Quantity _____
Job Name _____

Designed For Higher Volume Applications
Seven – 4 oz. Servings per Minute – 20 Qt. Capacity
Great for Restaurants, Buffets, & Ice Cream Shops

Model 404

Countertop
Soft Serve Ice Cream /
Yogurt Machine

The **SaniServ** Model 404 Soft Serve and Frozen Yogurt Machine provides the highest volume of frozen product in a countertop design in the SaniServ product lineup. The high production and quick recovery time of the 404 insures customers are always supplied with their favorite frozen treats and the ease of operation always makes the 404 a favorite among high volume owners and operators!

Space Saving

Small Footprint Design - **SaniServ** model 404 saves valuable floor space and turns the countertop into a real profit center by serving a high volume of high profit ice cream and yogurt products.

Easy Cleaning and Operation

Fewer Parts = Simplified Cleaning – **SaniServ** equipment is designed and built with the fewer parts to be disassembled, cleaned and sanitized than any other machine in the industry.

High Return on Investment

Increased Profits – **SaniServ** machines combine efficiency with consistent product quality and fast quiet operation while insuring customer satisfaction with high profit ice cream or yogurt products.

Quality Design

Durability – **SaniServ** machines are built to achieve long and dependable life through simplicity of design. Every machine is shipped standard with a stainless steel exterior, durable steel interior frame construction, heavy-duty components and consistency systems.

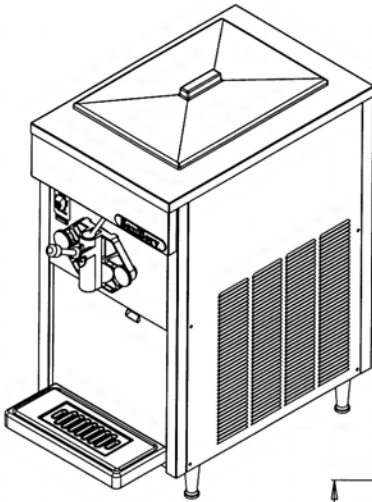


Made in the USA

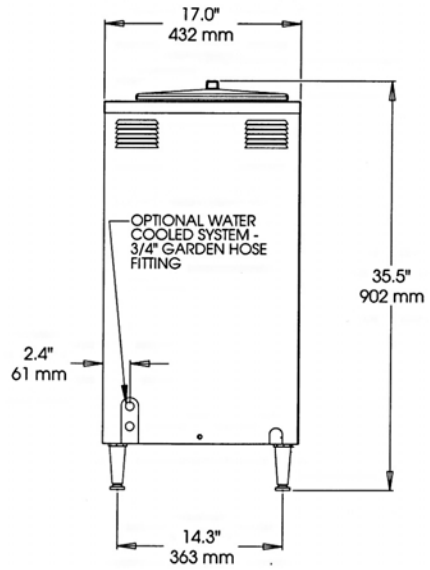
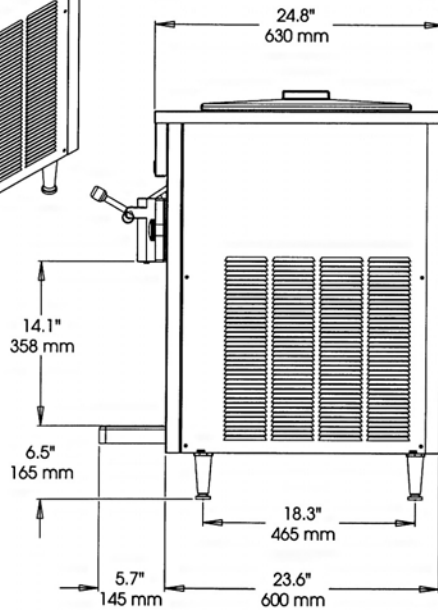
SaniServ Model 404

Counter Model Softserv / Yogurt Freezer

For sales information contact:



Minimum Wall Clearance
Both Sides and Back -
4 inches (102 mm)



ELECTRICAL				WIDTH INCHES (mm)	HEIGHT INCHES (mm)	DEPTH INCHES (mm)	WEIGHT LBS. (Kg)	VOLUME CU FT. (cu. m.)
VOLTS	Hz	Ph.	Amps					
208-230	60	1	20	17 (432)	35.5 (902)	24.8 (630)	250 (113)	
208-230	60	3	15					
Shipping Specifications				22.5 (572)	39.5 (1003)	35.3 (897)	268 (122)	14.8 (.42)

Specifications:

Cooling System: Air or Water

Dasher and Compressor Motors:
1/2 HP Dasher 2 HP Compressor

Refrigerant Type: R404A

Listings: UL, cUL, NSF

Features:

Evaporator and Mix Reservoir Capacity: 20 Quarts (18.9 liters)

Dasher: Heavy-Duty Stainless Steel with low friction scraper blades.

Controls: Automatic consistency controls for improved consistency.

Tamper Proof Automatic Visual Mix Out System

Warranty:

Parts	1 year
Compressor	5 years
Evaporator	5 years

Options:

- Tune Up Kit
- Parts Tray
- Syrup Rail
- Counter Top Mounting Pad
- Machine Stand
- Water Cooled - 3/4" Garden Hose Fitting
- Wash Out Kit - 3/8" Flare Fitting

We reserve the right to change specifications and product design without notice. Such revisions do not entitle the buyer to corresponding changes, improvements, additions or replacements for previously purchased equipment.

ZAMA

WWW.ZAMA-ENETRPRISE.COM
1-866-425-5669 Fax: 1-305-670-0044
Miami, FL 33156



Made in the USA

Rev. 2/06